

# Product Specification

Small Batch Sieving

## 500-S

**A small and economically priced sieve that does not compromise on accuracy.**

The Sievmaster 500-S suits those needing to sieve products in smaller batches but still requiring a fast, efficient system. The cone shaped inlet allows the operator to easily load a full 25kg sack of product into the sieving area in one go.

Its stainless steel construction makes this machine suitable for use within the most arduous of environments, and the mobile stand provides a simple means of manoeuvring from one location to another.



### Features & Benefits

- Easy-Clean hygienic design, no crevices
- No tool, quick change screens
- Wet or dry applications
- All stainless steel body and contact parts
- Dust and waterproof IP66
- Meets HACCP, BRC audit requirements
- Conforms to CE, UKCA, FDA, EC 1935/2004 and ANIA regulations
- Low maintenance/running costs – tool free disassembly & minimal servicing

### Industries:



### Product Options\*

**Ultrasonic upgrade** - eliminates mesh blinding.



**Top Dust Cover** - Removable top cover with vision and access port.



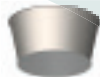
**Mesh Deblinding System** - mechanical.



**Underscreen Magnet Assy** - 9000 gauss.



**Top Cone Meshed** - ET5145 adhesive.



**Upgrade to ATEX zone 22 II 3D.**



**Tote Bin / Container Mounting** - Tray type support system.



\*More options available on request

### Typical Materials

- Most food, beverage & chemical powders and granular products
- Liquid separation

### Finishes available

- Internal Dull Polish to <math><0.8 Ra</math>

### Certified Technology



1

2

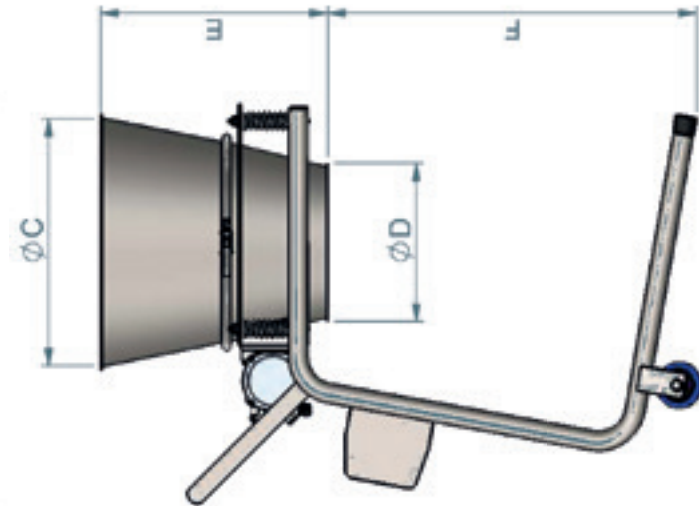
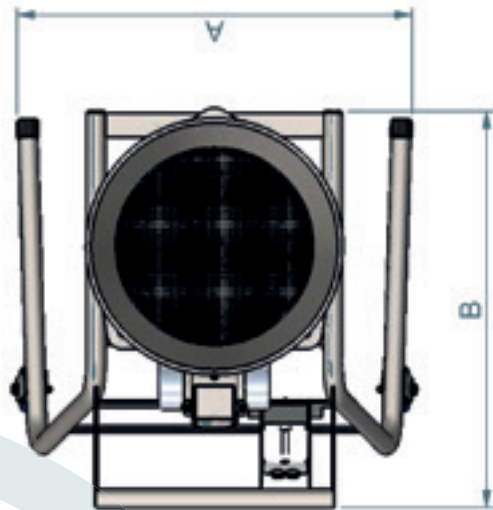
3

4

5

6

THIRD ANGLE PROJECTION



## SM 500-S

DIMENSION	SM500-S (mm)
A	800
B	800
C	500
D	300
E	450
F	750

Screen diameter = 400mm

Bespoke frames available with DOL box, cable & plug

ELECTRICAL	SM500-S
Voltage	110 / 240 / 380-460
Frequency	50 / 60 hz
Power	85 w
Phase	1 / 3
ATEX	Yes 